



**LVX890** COMMERCIAL DUTY • 5YR  
**LED 8' SPEC-SELECT™ VAPOR TIGHT**  
DIRECT LINEAR AMBIENT LUMINARIES

**FEATURES**

Spec-Select™ Vapor Tights are like 9 fixtures in 1, featuring adjustable wattage and color temperature for the perfect balance of light in any application.

- Adjustable Wattage (3 settings)
- Adjustable Color (3 settings)
- Integrated Sensor Option (ISO). Sensor and elbow sold separately.
- 5VA housing, meets highest UL94 Standards.
- Liquid silicone perimeter gasket formed to housing provides a seamless seal and protects from dust and humidity.
- Stainless steel clips.
- Sufficient knockouts are available.

**APPLICATION**

Ideal for commercial and industrial environments; tunnels, stairwells, parking garages, cold storage, and airports. *Not designed for use in car washes, truck wash bays, or where exposed to harsh chemicals.*

**ELECTRICAL**

Wattage	65W / 75W / 90W
Voltage	120-277V
Current	90W @ 120V = 0.75A
Power Factor	0.9
Total Harmonic Distortion (THD)	7%

**LIGHTING PERFORMANCE**

Lumens	8645 / 9975 / 11970
Lumens Per Watt (LPW)	133
Color Temperature (CCT)	3500K / 4100K / 5000K
Color Rendering (CRI)	82
R9 (Red Value)	7
Beam Angle	120°
Light Distribution	--
Dimmable Lighting Control	From optional 12VDC sensor, or customer 0-10V controls.

**ENVIRONMENT**

Operating Temperature (Suspended at least 18" from ceiling)	-40° ~ 113°F
Operating Temperature (Surface Mount)	-40° ~ 104°F
Suitable Location	<b>WET</b>
Ingress Protection Rating	IP65

**LIFESPAN**

Average Life (Hours)	50,000
Warranty (Years)	<b>5</b>

**COMPONENTS**

LED Light Source	--
Driver	--
Sensor Socket	12VDC AUX.

**CONSTRUCTION**

Housing	Polycarbonate
Lens	Frosted
Base / Power Supply	Hard Wired
Finish	White

**QUALIFICATIONS**

Manufacturer Model #	55687
----------------------	-------



*Published lumens on LED products are approximate and may vary slightly. • Specifications are subject to change without notice.*

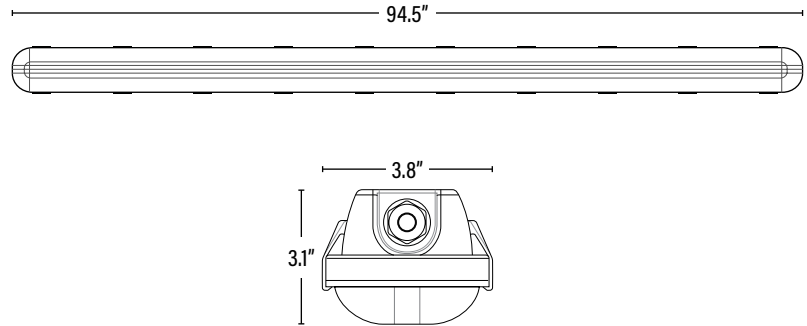
# LVX890 COMMERCIAL DUTY • 5YR LED 8' SPEC-SELECT™ VAPOR TIGHT



ITEM INFORMATION

### DIMENSIONS (Inches)

Length	94.5"
Width	3.8"
Height	3.1"
Net Weight (Lbs)	7.9



### PACKAGING

		UPC	DIMENSIONS (LxWxH)	GROSS WEIGHT (Lbs)
Master Carton	4	10811768029885	96.7" x 8.5" x 7.5"	--
Individual Box	1	811768029888	95.8" x 3.9" x 3.4"	--
Country of Origin	China			
HS Tariff	--			

### ORDERING

ITEM#	DESCRIPTION	CASE
LVX890	LED 8FT SPEC-SELECT™ VAPOR TIGHT/65-75-90W/35-50K/DIMM/ISO/120-277V	4

Manufactured by P.Q.L., Inc. - Manufacturer Model # 55687

### ACCESSORIES

LVSEN1	BI-LEVEL PIR MOTION & DAYLIGHT SCREW-IN SENSOR FOR ISO STRIPS & VAPOR TIGHTS/40FT (REQUIRES 12-24VDC AUX & ELBOW #LVELB0)	100
LVSEN2	BI-LEVEL MICROWAVE MOTION & DAYLIGHT SCREW-IN SENSOR FOR ISO STRIPS & VAPOR TIGHTS/40FT (REQUIRES 12-24VDC AUX & ELBOW #LVELB0)	100
LVELB0	EXTERNAL SWIVEL QUICK CONNECT ELBOW (For best sensor performance.)	100

### ADDITIONAL INFORMATION:

- Default settings; 65W, 5000K.
- The color temperature and wattage may be adjusted by two slide switches integrated into the driver. The color temperature and wattage should be selected prior to installation.

