



CFP912 XTREME DUTY • 7YR
LED MINI WALL PACK
OUTDOOR NON-CUTOFF AND SEMI-CUTOFF
WALL-MOUNTED AREA LUMINAIRES

FEATURES

- Easy installation
- Replaces 25W HID
- Sealed housing for outdoor applications
- Polycarbonate optical lens
- With Photo Cell

APPLICATION

Ideal for security, pathway and perimeter lighting, building entry ways and walkways.

ELECTRICAL

| | |
|---------------------------------|----------|
| Wattage | 11.6W |
| Voltage | 120-277V |
| Current | 0.11A |
| Power Factor | 0.9 |
| Total Harmonic Distortion (THD) | 4.9 |

LIGHTING PERFORMANCE

| | |
|--|--|
| Lumens | 1631 |
| Lumens Per Watt (Lm/W) | 141 |
| Color Temperature (CCT) | 4000K |
| Color Rendering (CRI) | 73 |
| R9 (Red Value) | -17 |
| R13 (Skin Tones) | -- |
| Beam Angle | 90° |
| Light Distribution | Very Short, Type IV |
| BUG Rating (Backlight, Uplight, and Glare) | B1 - U3 - G1 |
| Dimmable Lighting Control | <i>Dimmable</i> 0-10V, Range 10% - 100% |

ENVIRONMENT

| | |
|---------------------------|--------------|
| Operating Temperature | -22° ~ 113°F |
| Suitable Location | WET |
| Ingress Protection Rating | IP65 |

LIFESPAN

| | |
|----------------------|----------|
| Average Life (Hours) | 50,000 |
| Warranty (Years) | 7 |

COMPONENTS

| | |
|------------------|----------------|
| LED Light Source | Luxeon 3030 2D |
| Driver | WP-HLA-016U |

CONSTRUCTION

| | |
|---------------------|---------------------|
| Housing | Aluminum Alloy / PC |
| Lens | Clear |
| Base / Power Supply | Hard Wired |
| Finish | Black |

QUALIFICATIONS

| | |
|--------------|------------------|
| Model Number | MWP-12-[D,P]-40K |
|--------------|------------------|

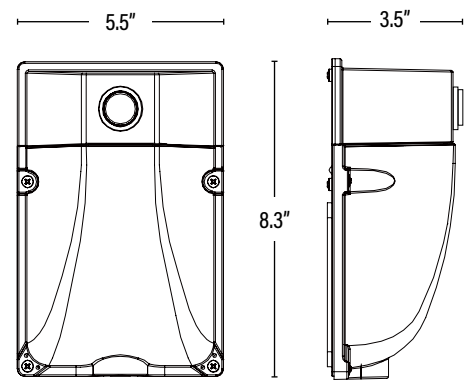


Manufactured by P.Q.L., Inc. • Published lumens on LED products are approximate and may vary slightly. • Specifications are subject to change without notice.

CFP912 XTREME DUTY • 7YR LED MINI WALL PACK



ITEM INFORMATION



| DIMENSIONS (Inches) | |
|---------------------|------|
| Length | 8.3" |
| Width | 5.5" |
| Height | 3.5" |
| Net Weight (Lbs) | -- |

| PACKAGING | UPC | DIMENSIONS (LxWxH) | GROSS WEIGHT (Lbs) | |
|-------------------|-------|--------------------|--------------------|------|
| Master Carton | 8 | 811768022841 | 5.6" x 3.9" x 8.5" | 14.8 |
| Individual Box | 1 | 10811768022848 | -- | 1.9 |
| Country of Origin | China | | | |
| HS Tariff | -- | | | |

| ORDERING | | | CASE |
|----------|--|--|------|
| ITEM# | DESCRIPTION | | |
| CFP912 | LED MINI WALL PACK/12W/40K/CL/DIMM/120-277V/BLK/PHOTO CELL | | 8 |

Manufactured by P.Q.L., Inc. - Manufacturer Model # MWP-12-[D,P]-40K

ADDITIONAL INFORMATION:

Note: To prevent water damage which may shorten the life of an exterior mounted fixture; the fixture should be properly weather sealed according to the installation instructions or between the fixture base and mounting surface. Damage due to improper installation may void the warranty.